

# **Madam CJ Walker School**

## **Restoration**

**Concept | Fundraising**

January 26, 2024

**multistudio**

**JUSTIN PELAYO**

**ABDY MAMMEDOV**

**ALEXANDRA MESIAS**

**LANCE MAINE**

**NATE GRADOVILLE**

**TABITHA DARKO**

**ROBERT RICCARDI**

## A Legacy of Community and Inclusion

Pre-dating the decision of *Brown v. Board of Education*, this small community in Merriam, Kansas won a battle to keep students from being segregated based on their race. This project focuses on projecting this story and restoring the facility for it to become a building that encourages the connection and celebration of a community.



1. Madam CJ Walker School Students and Teacher (Johnson County Heritage Foundation)

2. Corinthian Nutter, School Teacher (The Kansas City Star)

3. Combination Classroom and Auditorium (Johnson County Heritage Foundation)

4. Schoolhouse Kitchen (Johnson County Heritage Foundation)

5. Esther Brown, Organizer (Explore Merriam)

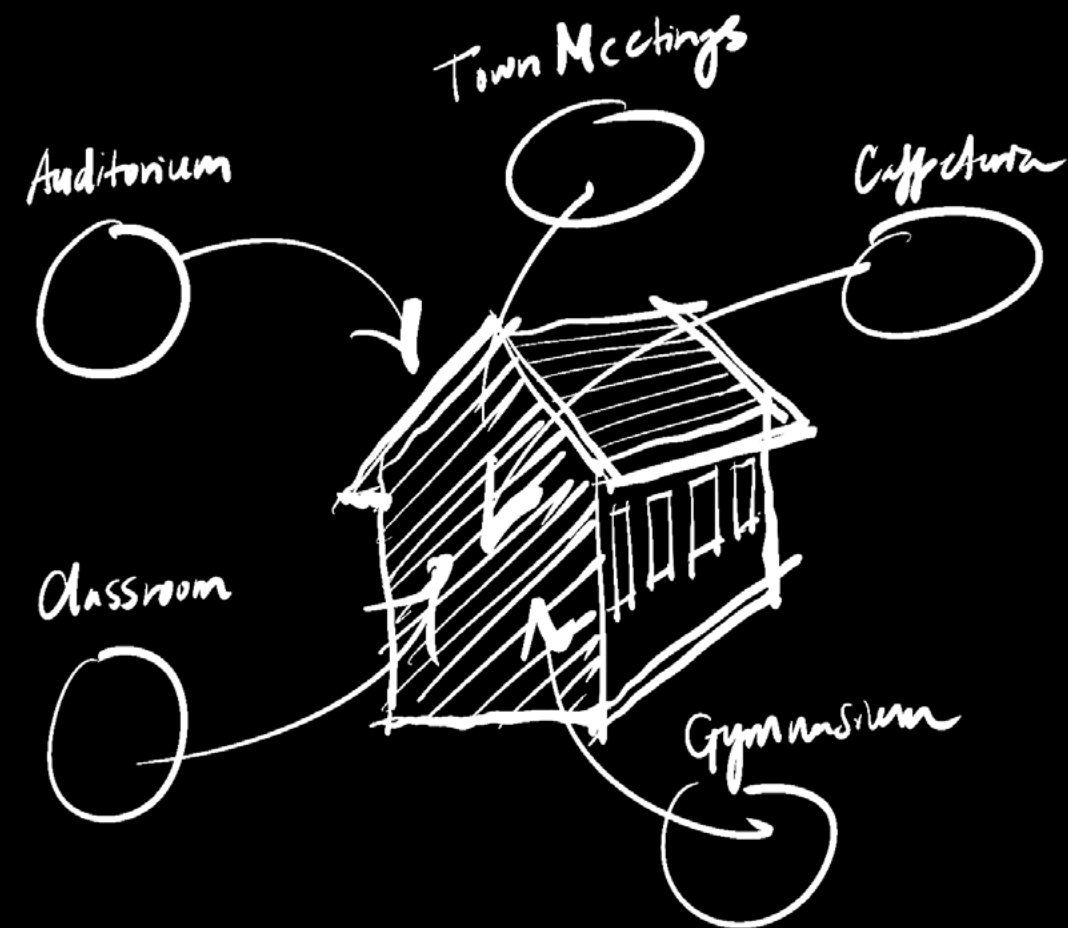
6. Photos of Corinthian Nutter Students (Johnson County Heritage Foundation)

# ONE ROOM ONE COMMUNITY

*Creating a venue for worship,  
civic exchange, and community  
growth.*

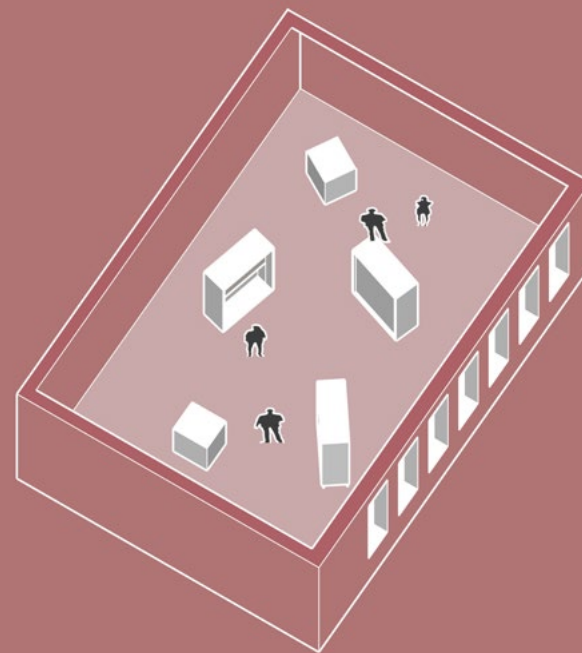
The original one-room school house was the center and focus for thousands of rural communities, hamlets, and small towns.

The new renovation is centered around this humble typology's ability to pull together various community elements, people, and events into one space as a stark divergence from the legacy of segregation inherent to the building's story.

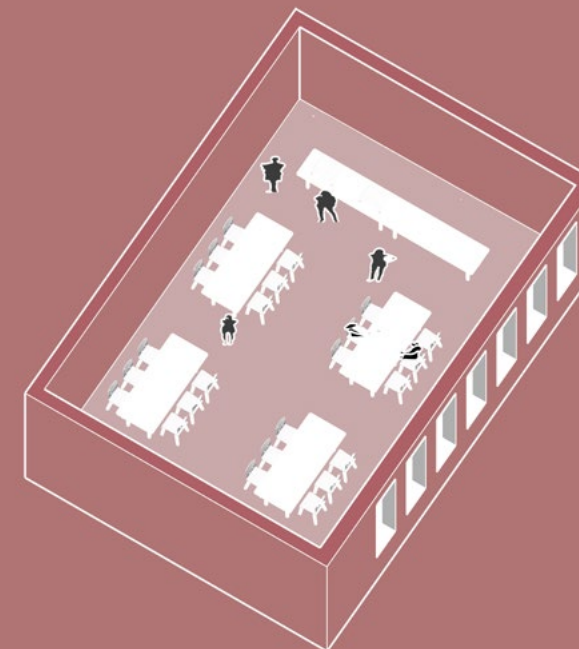


*Simplicity in form; complexity in function.*

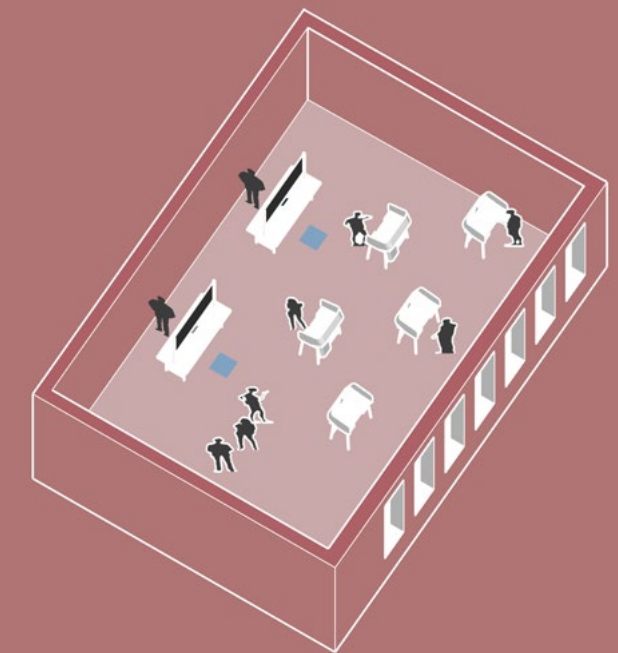
Rather than viewing the one-room schoolhouse as a limitation to function and expression, the renovation of the former Madam CJ Walker School seeks to explore the countless ways in which the idea of a singular room can be a space of shared history whilst maintaining the ability to transform into useful venues of civic engagement.



*Movable Exhibits*



*Communal Dining/  
Fellowship Hall*



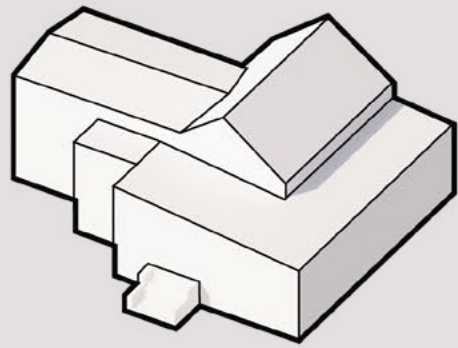
*Poling Station*

# EXTERIOR RESTORATION + SITE



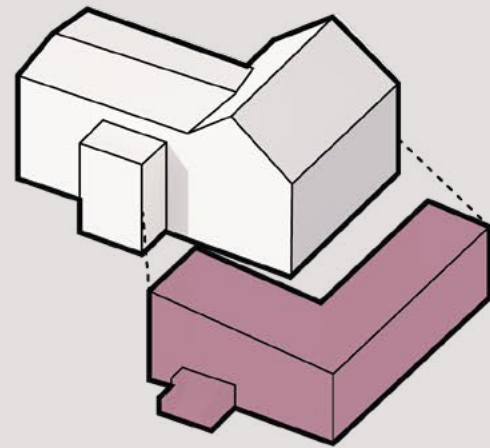
---

**It is important that the south and east facades of the original school house be re-constructed in an effort to preserve the architectural accuracy of the building at the period of its historical significance.**



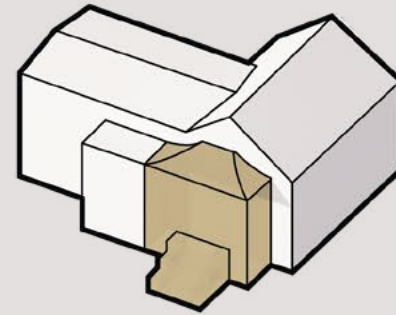
1

*Existing Building*



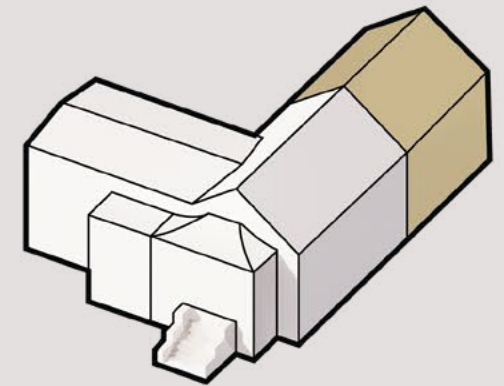
2

*Remove Recent Addition*



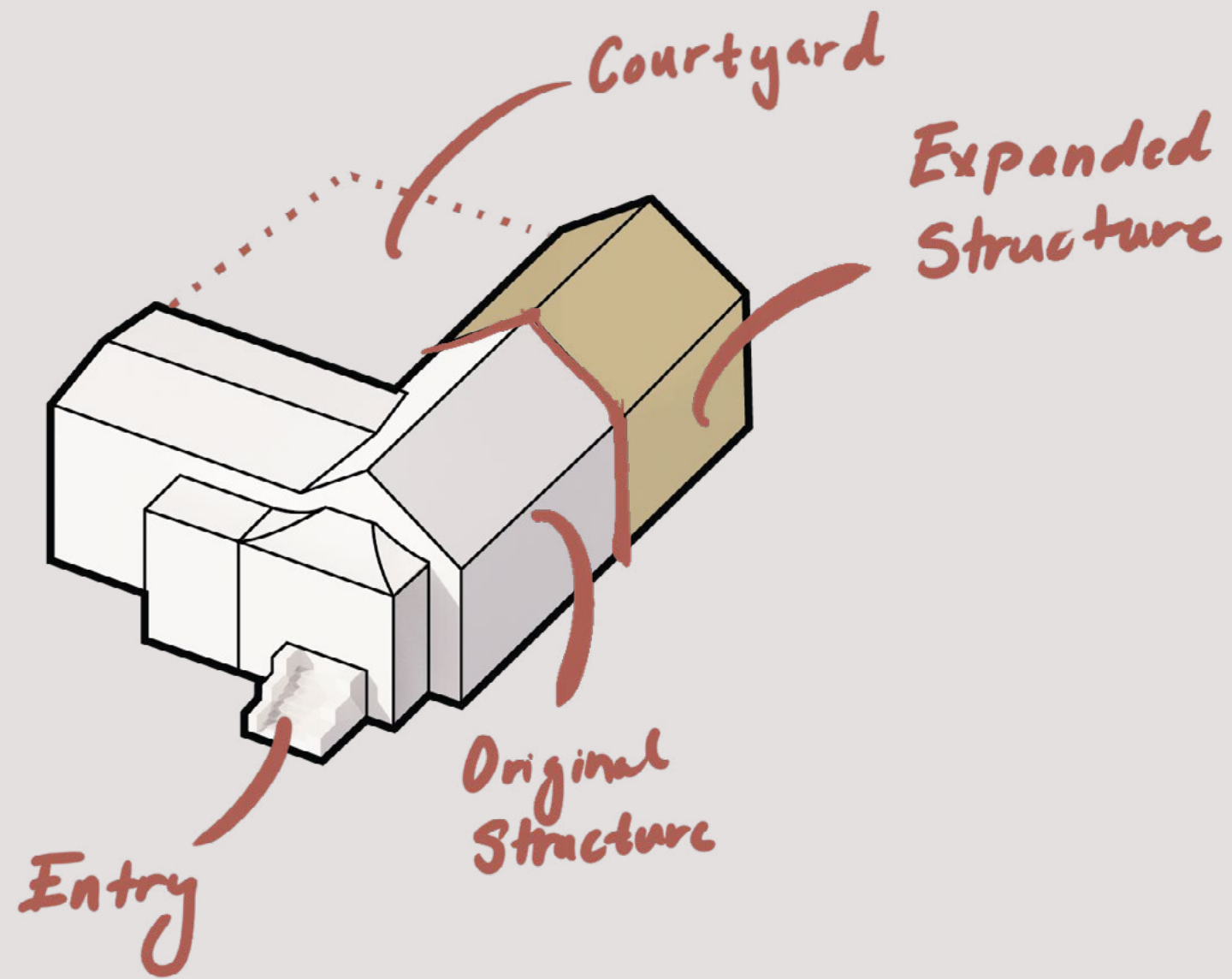
3

*Re-Construct Front Entry*



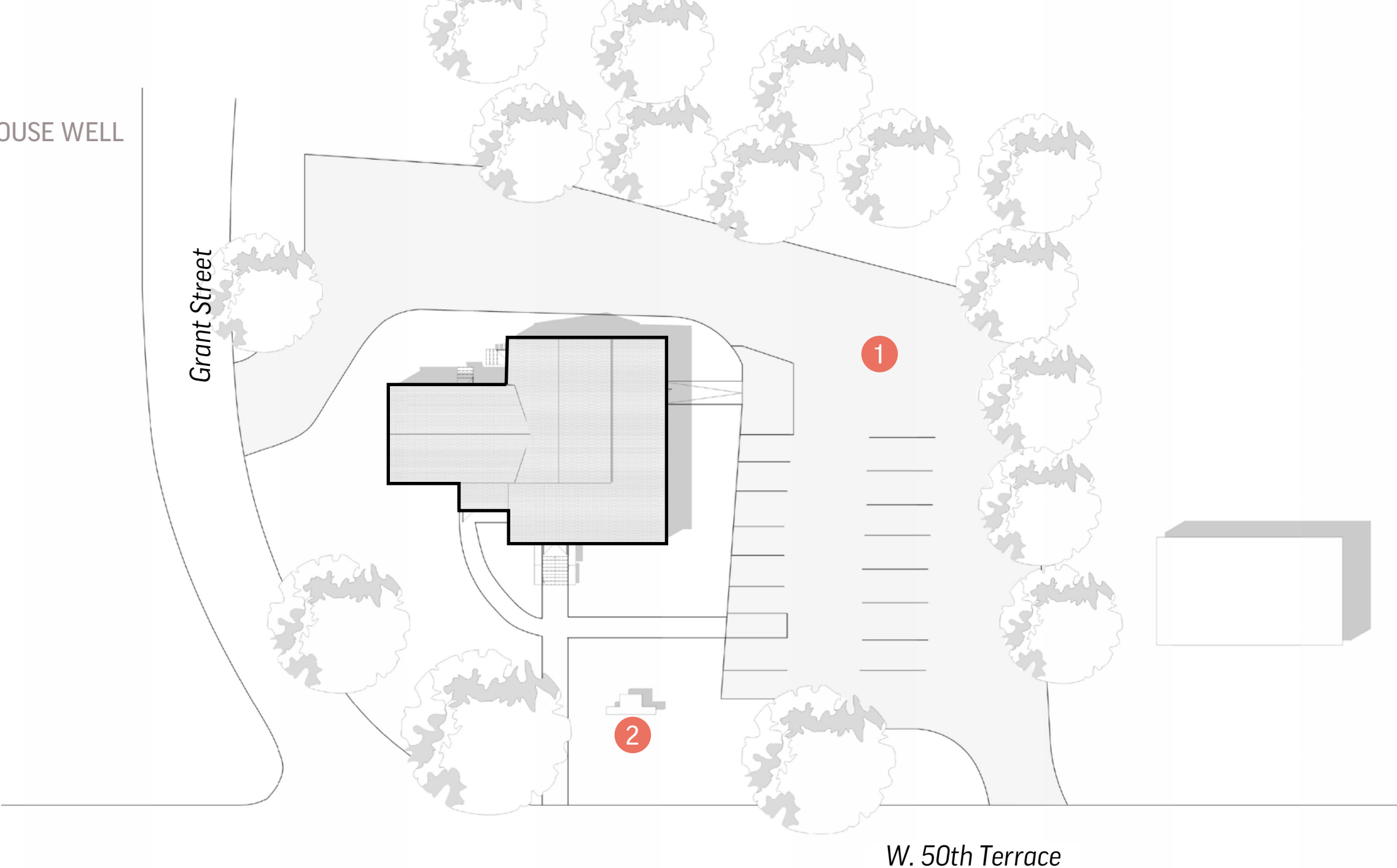
4

*Replace Footprint  
via Expansion at  
North End*



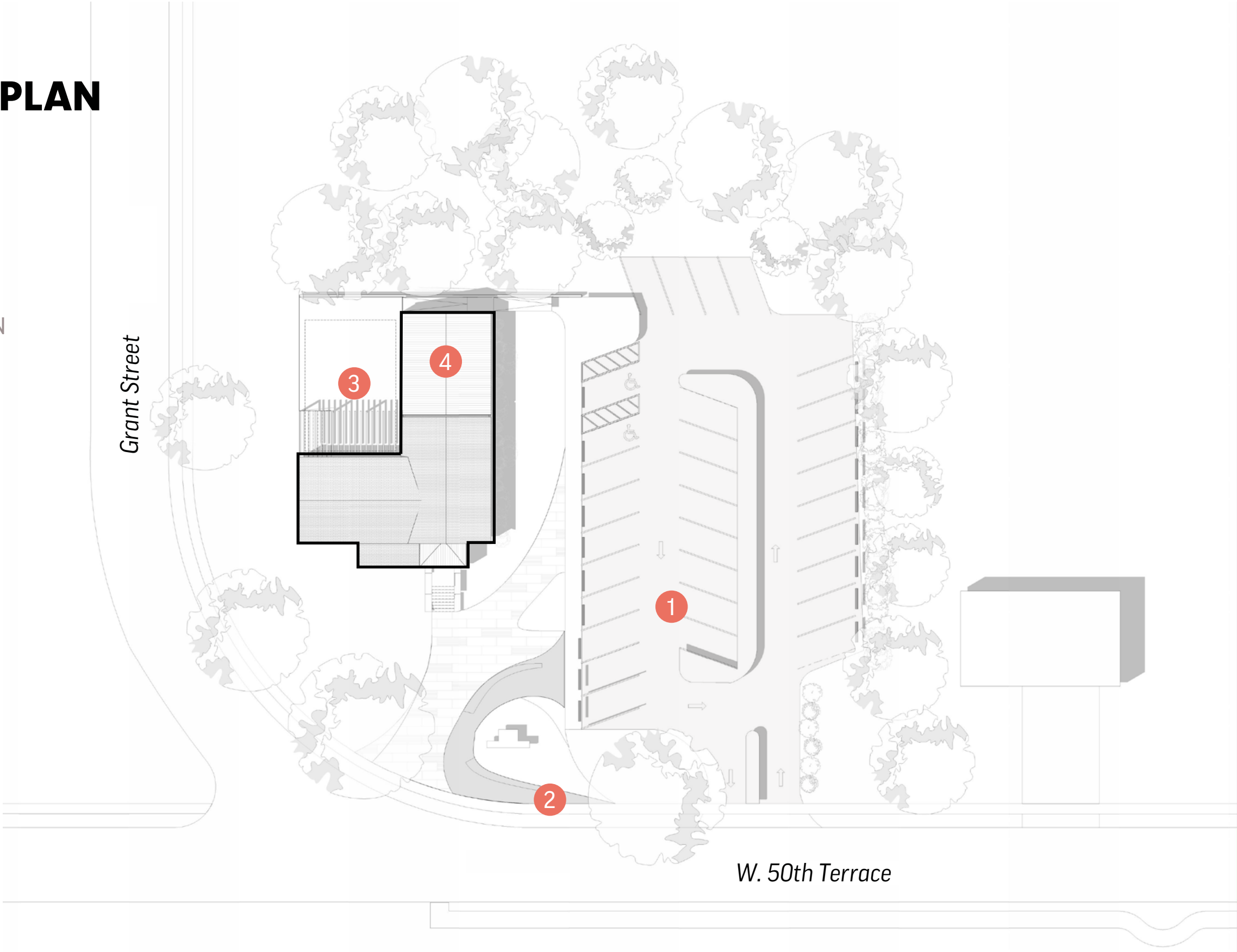
# EXISTING SITE PLAN

- 1 PARKING
- 2 SCHOOLHOUSE WELL

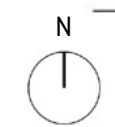
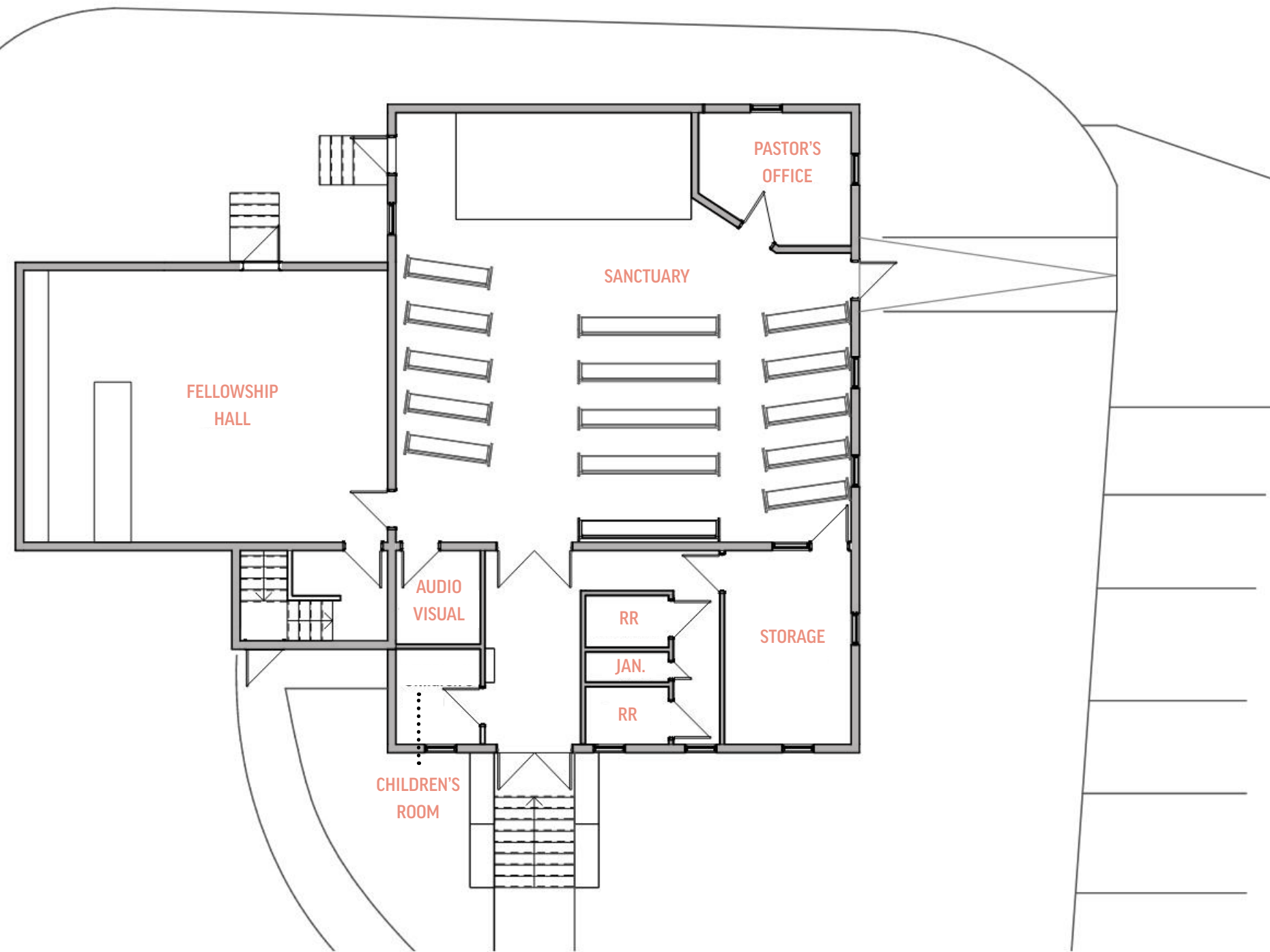


# NEW SITE PLAN

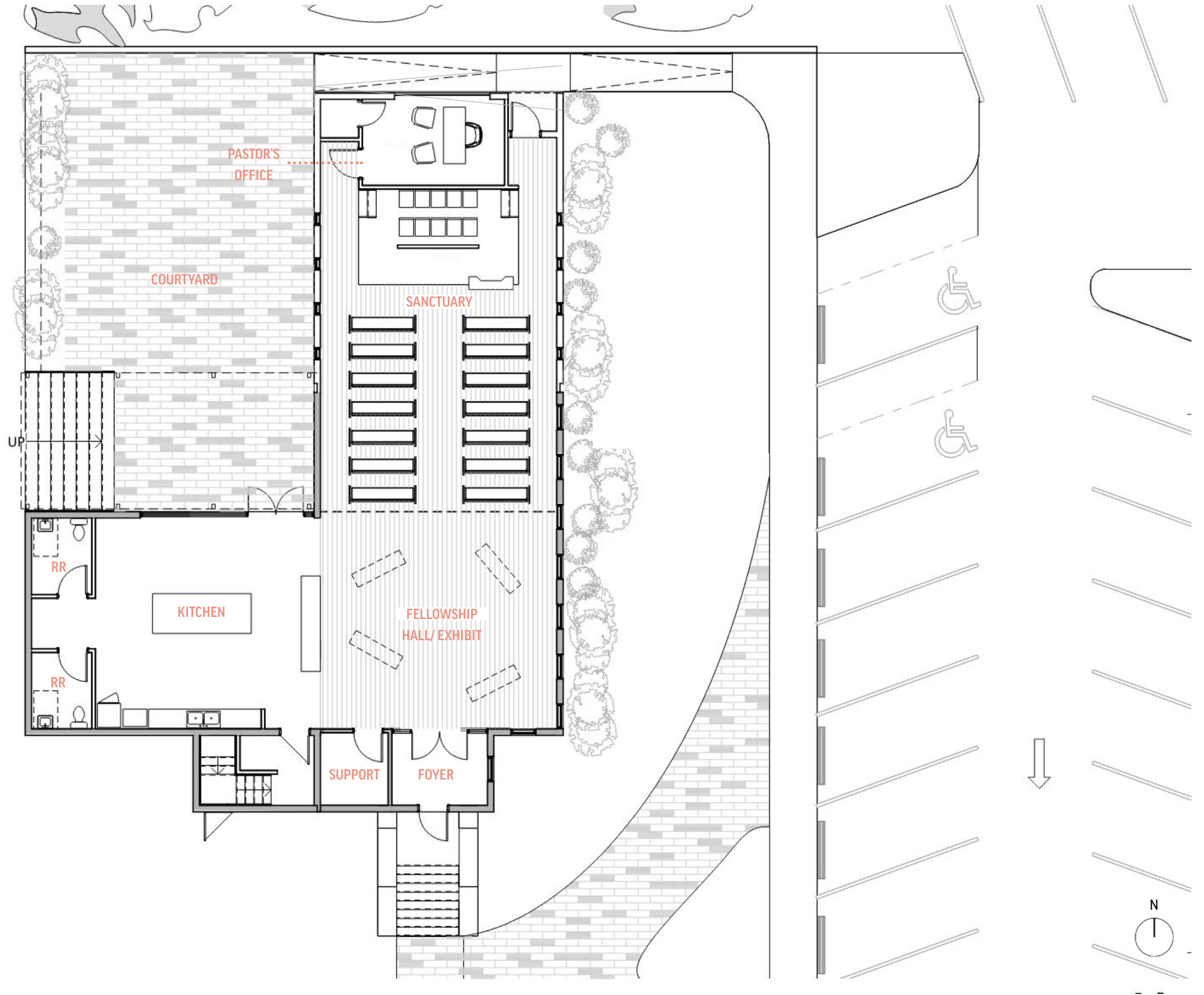
- 1 PARKING
- 2 FOUNTAIN
- 3 COURTYARD
- 4 NEW ADDITION



# EXISTING PLAN



# NEW PLAN





Re-purposing the well to have a water feature or fountain will breathe new life into this important piece of site artifact whilst connecting it to an existing park trail that tells the Madam CJ Walker School story



The historical facade is celebrated while a clearly delineated addition provides additional space for the multiple intended uses of the re-imagined facility



A courtyard shielded on two sides by the building provides outdoor space to support interior program while offering space for stronger community connection



A combination of fixed and mobile exhibits tell the story of Madam CJ Walker School's fight against racial discrimination



Mobile furniture and strategically placed curtain systems maximize flexibility



The worship space maintains the character of the existing church through re-interpretation of various aspects like light fixtures, materials, and furniture



When a more intimate or flexible space is desired, curtains serve to divide the sanctuary and add an element of texture and atmosphere



Carrying geometry from the historic structure into the new, subdued colors and natural materials reinforce the building's history while creating an environment suitable to the space's many intended uses



Lighting in the space serves to reinforce the gravitas of the setting without supplanting the activity of the moment

# COLLECTIVE MEMORY + EXPERIENCES



Re-imagining the site's original well as an informative centerpiece to the front courtyard welcomes the community to step into a learning experience



An updated and inviting kitchen and common space serves to facilitate flexible functions for both church and community members

# EXISTING CONDITIONS





